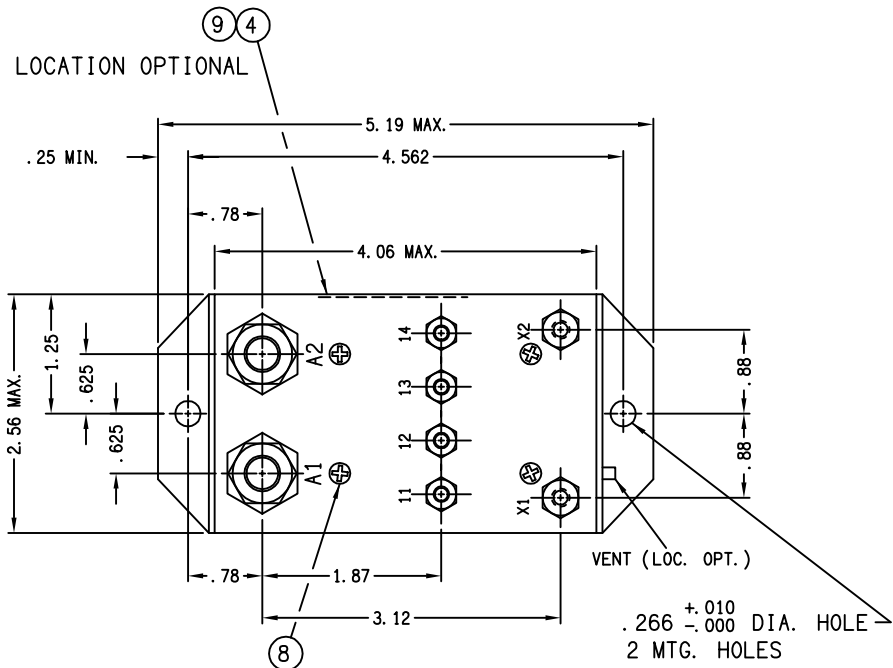


REVISIONS		RELEASED	DATE	APPROVED
REV	DESCRIPTION			
H	23150 ADDED ITEM 3 CHANGED ITEM 9 TO 1 WAS 2		93/03/18	WS
J	24065 MOVE .25 DIM: .88 WAS .85: REM. + & -		93/06/25	WS
K	33271 FIND NO 3 WAS 39529-023, FIND NO 9 WAS 39529-037		97/07/08	
L	09-025521 ITEM 14 WAS -034		09/10/07	CB



CONSTRUCTION
MAIN CONTACTS
CONFIGURATION
VOLTAGE (NOMINAL)
CURRENT:

GASKET SEALED (VENTED)

SPST N. O.
28 VDC
400 AMP.
1000 AMP FOR 30 SEC.
1500 AMP INRUSH

AUXILIARY CONTACTS
CONFIGURATION
VOLTAGE
CURRENT: RES. SURGE

OPERATE BEFORE MAINS CLOSE
FORM Z
28VDC / 115V. 400 HZ
5 AMP, 10 AMP CARRY ONLY
30 AMP CARRY ONLY FOR 0.1 SEC.

COIL DATA
DUTY CYCLE
NOMINAL VOLTAGE
PICKUP MAX.
PULL THROUGH
DROPOUT VOLTAGE

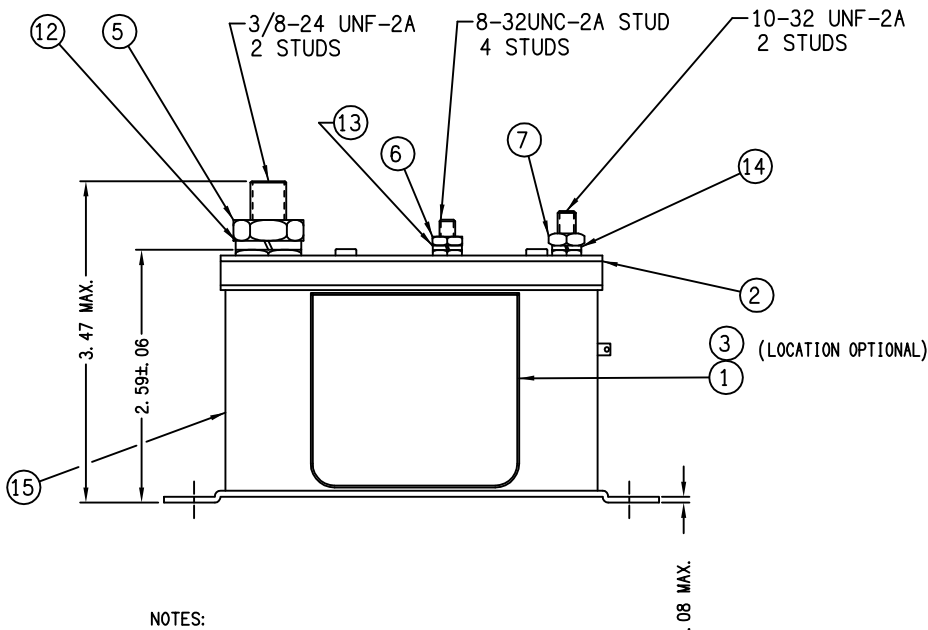
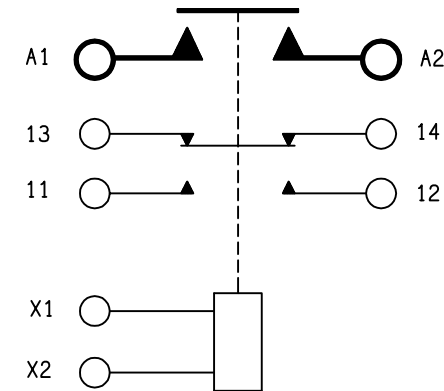
INTERMITTANT
18-31 VDC
10 VDC
6 VDC MAX AT 25°C
7 +0
-6

RESISTANCE

14 OHM ±20% AT 25°C

ENVIRONMENTAL DATA
AMBIENT TEMP.
LIFE ELECTRICAL
LIFE MECHANICAL
WEIGHT MAX. (EST.)

-55°C TO +71°C
15,000 CYCLES MIN.
100,000 CYCLES
2 LBS. 3 OZ.



NOTES:

- THIS UNIT MEETS THE APPLICABLE PORTIONS OF MIL-R-6106.
- FINISH REMOVED FROM MTG. SURFACE.

15	1	32687-090	CONTACTOR - ASSEM, -PRIMARY			
14	2	51810-054	WASHER LOCK #10 X .062 X .047 SPLIT		AN935B10	BRONZE
13	4	51808-064	WASHER LOCK #8 X .055 X .040 SPLIT		AN935B8	BRONZE
12	2	51807-084	WASHER LOCK 3/8 X .683 X .094 SPLIT		AN935B616	BRONZE
11						
10						
9	1	39529-007	OVERLAY - WIRING DIAGRAM			
8	4	51200-020	SCREW #4 X 1/4 SHEETMETAL			S. S.
7	2	50410-084	NUT 10-32 3/8 X 1/8 HEX.		AN345B10	BRASS
6	4	50408-034	NUT 8-32 X 5/16 X 3/32 HEX.			BRASS
5	2	50407-164	NUT 3/8-24 X 5/8 X 7/32 HEX.		AN341-616	BRASS
4	1	32691-001	PLATE - WIRING DIAGRAM			
3	1	39529-001	OVERLAY-NAME PLATE			
2	1	32552-002	PLATE - BASE COVER			
1	1	16043-033	NAME PLATE			
FIND NO	QTY REQD	PART OR IDENTIFYING NO	NOMENCLATURE OR DESCRIPTION	FSCM NO	DRAWING OR SPECIFICATION	MATERIAL OR NOTE

UNLESS OTHERWISE SPECIFIED DIMENSIONS ARE IN INCHES TOLERANCES ON

2 PL DEC. 3 PL DEC. ANGLES
±.06 ±.010 ± 1°

REF: BELL: 214-175-131-103

Tyco Electronics
Hartman Division, 175 N. DIAMOND STREET MANSFIELD, OHIO 44902

DR BY RLS 97/07/30
CHK BY RS 97/07/30
ENGR DM 97/08/06
MFG CC 97/08/05

MATERIAL

SIZE CODE IDENT
C 74063

SCALE NONE SHEET

KSR
400 AMP, 28 VOLTS

DWG NO. A-703DBH

REF TE P/N 1-1616058-0